



**TEKNOLOGI**

# ACCUMULATOR TECHNOLOGY



# SA Series

with standards : ASME, European Standards, CE, ABS (American Bureau of Shipping Certification)

**Bladder, Diaphragm & Piston Accumulator**

## Descriptions

Bladder accumulators are cost effective & a very versatile option for hydraulic systems involving energy storage, leakage loss compensation, volume compensation, shock absorption & pulsation dampening. They are a first choice for a great variety of general applications and have the widest range of standard sizes and model options. Bladder accumulators also have very quick shock response characteristics than Piston Accumulator & in sizes much larger than diaphragm accumulators.

## Benefits of KMS Teknologi bladder accumulators :

- Made from best components & parts, imported from best supplier assembled at KMS Teknologi to make sure the quality
- Compact & maintenance free
- No differential pressure between fluid & gas sides
- High discharge speeds
- High charging & discharge frequencies

## Bladder Materials

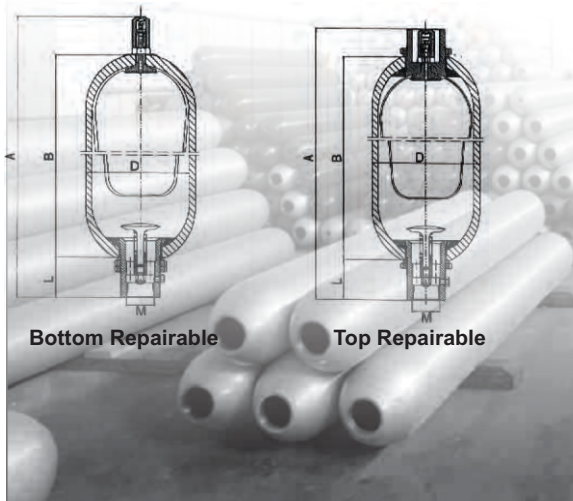
Not all fluids are compatible with every elastomer at all temperatures. KMS Teknologi offers the following choice of elastomers:

- Standard Nitrile (NBR)
- Low Temperature Nitrile (LT-NBR)
- Epichlorohydrin (ECO)
- Butyl (IIR)
- Fluoroelastomer (FPM)
- Others on request

## Applications :

Applications of bladder accumulators are:

- Power Plant
- Cement Industry
- Ceramic Industry
- Plastic Industry
- Steel Mill Industry
- Mining Machinery & Equipment
- Oil Field & Offshore
- Agricultural Machinery & Equipment
- Mobile & Construction Equipment
- Forestry Equipment
- Machine Tools



## Replacing Other Brands

We can replacing other brands to our products for Bladder, Diaphragm or Piston Accumulator. Warranty for good products & better price.

## Standard Bladder Accumulator

**Nominal Volumes :**

1 .....200 litre

**Max. operating pressure :**

200 ..... 400 bar



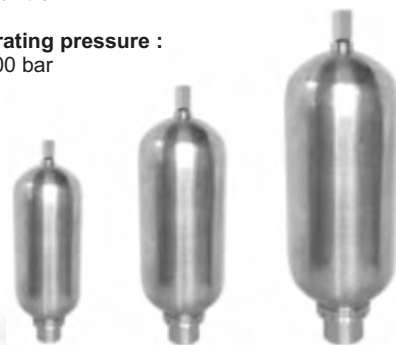
## Stainless Steel Bladder Accumulator

**Nominal Volumes :**

0.4 .....200 litre

**Max. operating pressure :**

100 ..... 200 bar



# SA Series

with standards : ASME, European Standards, CE, ABS (American Bureau of Shipping Certification)  
*Bladder, Diaphragm & Piston Accumulator*

## Diaphragm Accumulator

### Threaded Type

**Nominal Volumes :**  
 0.1 .....1 litre  
 0.07..... 0.75 litre

**Max. operating pressure :**  
 100 ..... 330 bar



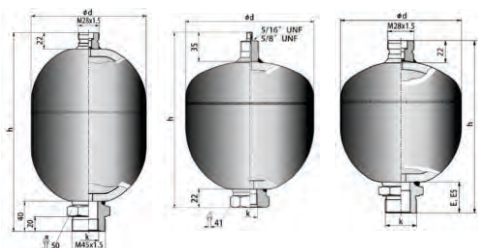
Type A

Type D

### Welded Type

**Nominal Volumes :**  
 0.075..... 6 litre

**Max. operating pressure :**  
 100 ..... 350 bar



## Stainless Steel Diaphragm Accumulator

**Nominal Volumes :**  
 0.1 .....1 litre  
 0.07 .... 0.75 litre

**Max. operating pressure :**  
 100 ..... 210 bar



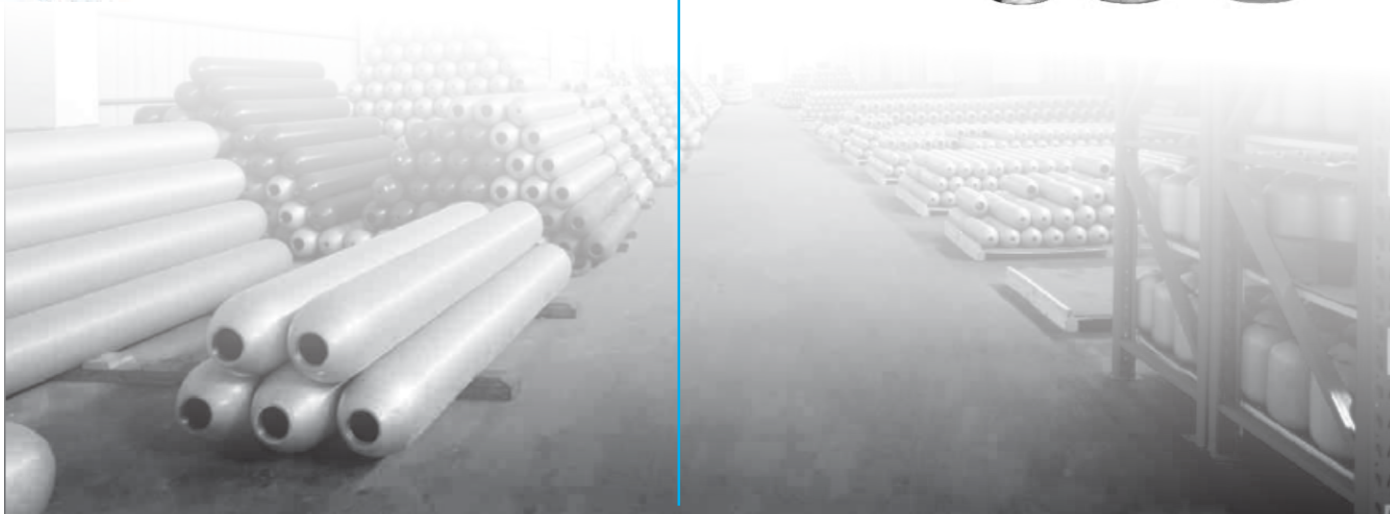
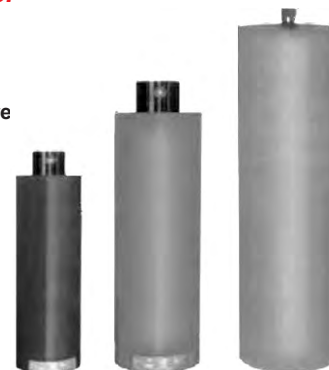
Type A

Type D

## Piston Accumulator

**Nominal Volumes :**  
 0.5 .....250 litre

**Max. operating pressure**  
 100 ..... 300 bar



# SA Series

with standards : ASME, European Standards, CE, ABS (American Bureau of Shipping Certification)

**Bladder Accumulator**

## Standard Bladder Accumulator

### Nominal Volumes :

1 .....200 litre

### Max. operating pressure :

200 ..... 400 bar



### MODEL CODE

SA B 300 S 20 B 1 NPT2" .....

Standard Accumulator \_\_\_\_\_

Model \_\_\_\_\_  
B = Bladder

Pressure (bar) \_\_\_\_\_  
100, 200, 300, 400 (other on request)

Housing Material \_\_\_\_\_  
S = Standard (carbon steel)  
SS = Stainless Steel

Nominal Volume (litre) \_\_\_\_\_  
1; 2.5; 4; 6; 10; 15; 19; 20; 24; 32; 38; 40; 42; 50; 53; 54; 57 (other on request)

Repair Option \_\_\_\_\_  
B = Bottom Repairable  
T = Top Repairable

Gas Valve Connection \_\_\_\_\_  
1 = Standard Model  
2 = 7/8-14 UNF  
3 = 5/8" gas valve  
5 = M50x1.5  
6 = M28x1.5  
7 = M16x1.5  
9 = other on request

Oil Valve Connection \_\_\_\_\_  
NPT 3/4"  
NPT 1 1/4"  
NPT 2"  
G 3/4  
G 1 1/4  
G 2  
F = Flange connection  
R = other on request

Country Standard (on request) \_\_\_\_\_  
Omit = standard, ASME, CE, ABS, other on request

# SA Series

with standards : ASME, European Standards, CE, ABS (American Bureau of Shipping Certification)

**Diaphragm Accumulator**

## Diaphragm Accumulator

### Threaded Type

#### Nominal Volumes :

0.1 ..... 1 litre  
0.07 ..... 0.75 litre

#### Max. operating pressure :

100 ..... 330 bar



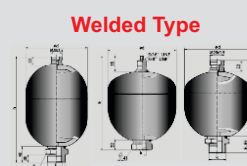
### Welded Type

#### Nominal Volumes :

0.075 ..... 6 litre

#### Max. operating pressure :

100 ..... 350 bar



## MODEL CODE

**SA D 300 S 2 W 1 G3/4 .....**

### Standard Accumulator

#### Model

D = Diaphragm

#### Pressure (bar)

100, 200, 210, 300, 330 (other on request)

#### Housing Material

S = Standard (carbon steel)  
SS = Stainless Steel

#### Nominal Volume (litre)

Thread (Screw) Type A : 0.1; 0.5; 1 (other on request)  
Thread (Screw) Type D : 0.07; 0.25; 0.35; 0.75 (other on request)  
Welded : 0.7; 1; 1.4; 2; 2.8; 3.5; 4; 6 (other on request)

#### Housing Type

W = Welded  
T = Threaded (Screw)

#### Gas Valve Connection

1 = M28x1.5 (for Welded, Thread Type)  
2 = M14x1.5 (for Thread Type)  
3 = 5/8" UNF (for Welded Type)  
5 = 5/16" UNF (for Welded Type)  
6 = other on request

#### Oil Valve Connection

3/4"-16 UNF-2B Internal Thread ASME Standard	} for Welded Type
G3/4" Internal Thread with Outer Thread M45x1.5	
M33x1.5 Outer Thread	} for Thread A Type
M45x1.5 Outer Thread	
M33x2 Outer Thread	} for Thread D Type
M18x1.5 Outer Thread	
M22x1.5 Outer Thread	} for Thread D Type
G1/2 Outer Thread	
G1/2 Internal Thread	} for Thread D Type
M14x1.5 Internal Thread	
M16x1.5 Internal Thread	
M18x1.5 Internal Thread	
M22x1.5 Internal Thread	
R = Other on request	

#### Country Standard (on request)

Omit = standard, ASME, CE, ABS, other on request

# SA Series

with standards : ASME, European Standards, CE, ABS (American Bureau of Shipping Certification)

*Piston Accumulator*

## *Piston Accumulator*

**Nominal Volumes :**  
0.5 .....250 litre

**Max. operating pressure :**  
100 ..... 300 bar



### **MODEL CODE**

**SA P 300 S 2 - 1 T M27x2 .....**

**Standard Accumulator** \_\_\_\_\_

**Model** \_\_\_\_\_

P = Piston

**Pressure (bar)** \_\_\_\_\_

100, 200, 210, 300, 330 (other on request)

**Housing Material** \_\_\_\_\_

S = Standard (carbon steel)

SS = Stainless Steel

**Nominal Volume (litre)** \_\_\_\_\_

0.5; 1; 2; 2.5; 5; 6; 7.5; 10; 15; 20; 32; 40; 50; 80; 100; 120; 180; 250 (other on request)

**Gas Valve Connection** \_\_\_\_\_

1 = Threaded Male

2 = Threaded Female

3 = other on request

**Oil Valve Connection** \_\_\_\_\_

T = Threaded

M27x2 (for volume: 0.5; 1; 2 litre)

M42x2 (for volume: 2.5; 5; 7; 15 litre)

M48x2 (for volume: 6; 20; 32 litre)

M60x2 (for volume: 10; 20; 40; 50; 80 litre)

M72x2 (for volume: 50; 80; 100; 120; 180; 250 litre)

F = Flanged

R = Other on request

**Country Standard (on request)** \_\_\_\_\_

Omit = standard, ASME, CE, ABS, other on request

# SA Series

with standards : ASME, European Standards, CE, ABS (American Bureau of Shipping Certification)

## Spare Parts



**Rubber Bladder**

Length : 74 - 2815 mm  
(only rubber bladder length, without gas valve)  
Volume : 0.4 - 200 litre



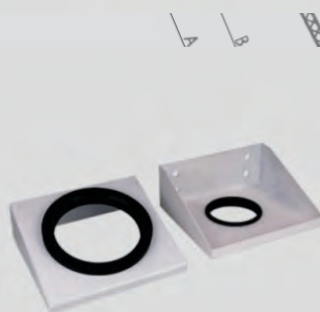
**Oil Valve**



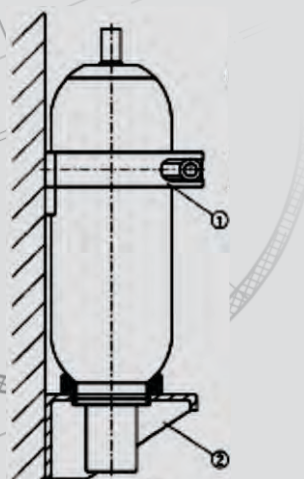
**Ring, O-Ring, Anti Extrusion Ring**



**Clamping for Accumulator**



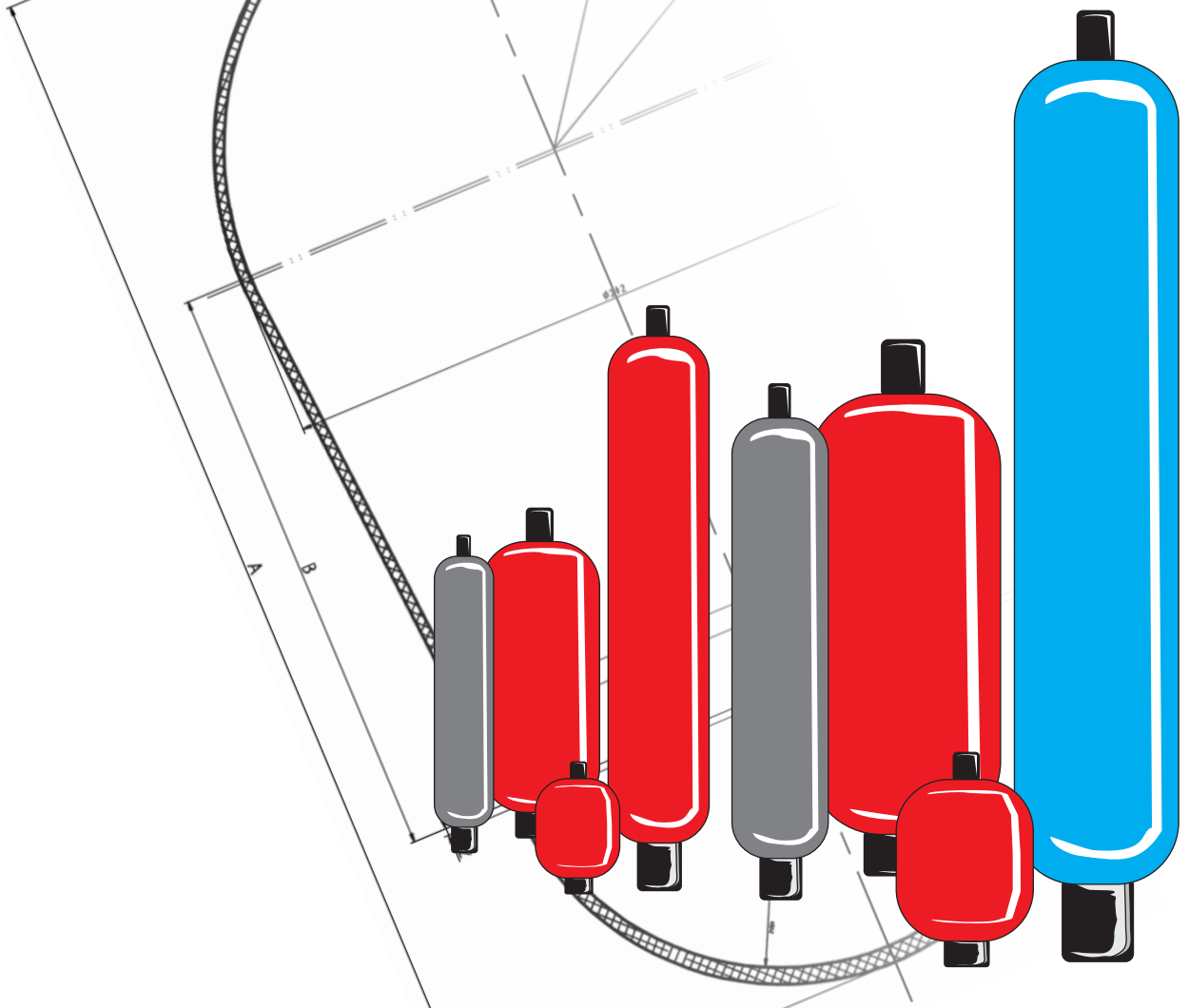
**Bracket for Accumulator**



**1. Clamping for Accumulator  
2. Bracket for Accumulator**



# TEKNOLOGI



Better Idea  
for  
Better Works

**PT. SWADAYA TEKNIKA UTAMA**  
**CV. KARYA MANDIRI SEJAHTERA**  
HYDRAULIC - LUBRICATION COMPONENTS, SYSTEM & TOOLS MANUFACTURER  
WITH LATEST TECHNOLOGY



manufacture by KMS TEKNOLOGI