

OIL LEVEL INDICATOR With Visual Thermometer



TEKNOLOGI
www.kmsteknologi.com



General

Oil Level Indicator are units which serve to monitor the level of operating fluid.

The flexible product range means that many combinations sizes are possible.

Visual thermometer with °C and °F scale, showing the temperature of the operating fluid in the tank. Dual scale in °C and °F is available on request.

Nominal pressure

Max. 0.5 bar

Operating fluids

The upper viscosity limit is 2,000 mm²/s.

Mineral oil to DIN 51524, Part 1

and 2, water-oil emulsions and

synthetic fluids, such as hydraulic

fluids based on phosphate ester

(NOT water glycol).

For water glycol, glass tubes are available.

For other fluids, please contact

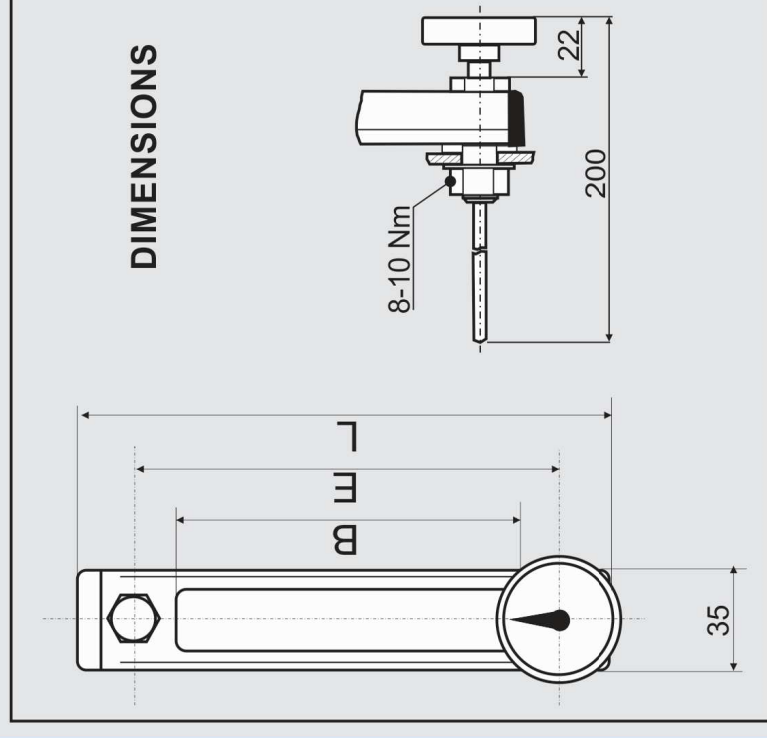
our technical sales department.

Temperature of operating fluid

0 °C to +100 °C

NOTE

The information in this brochure relates to the operating conditions and applications described. For applications or operating conditions not described, please contact the relevant technical department. Subject to technical modifications.



DISTRIBUTOR :

MODEL	L (mm)	E (mm)	B (mm)
KLT-76	108	76	37
KLT-80	112	80	42
KLT-100	132	100	62
KLT-125	157	125	87
KLT-127	159	127	89
KLT-150	182	150	112
KLT-160	192	160	122
KLT-200	232	200	162
KLT-250	282	250	212
KLT-254	286	254	216
KLT-300	332	300	262
KLT-350	382	350	312
KLT-400	432	400	362
KLT-450	482	450	412
KLT-500	532	500	462