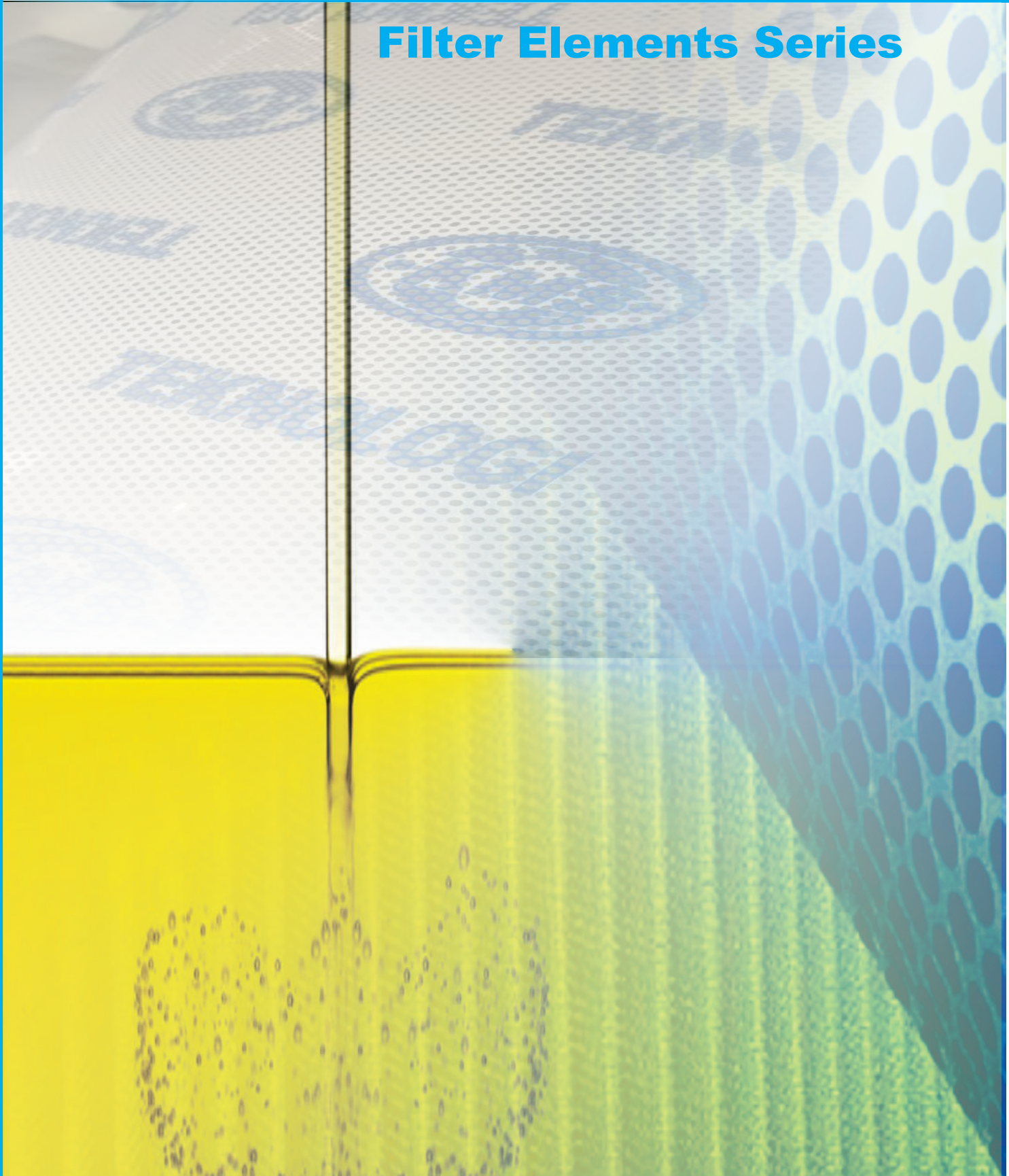




TEKNOLOGI

FILTRATION TECHNOLOGY

Filter Elements Series



Filter Elements Series

High quality products, ISO Standard, Replacement for other brands

BETTER SOLUTION FILTER ELEMENTS

The need of clean system are more and more increase now. To answer those who concerned with long life components and machine usages in the plant, **KMS Teknologi** comes with better engineering, continuous innovation, to get better solutions that fit in your needs.

KMS Teknologi manufactures custom engineered filtration products for :

- Oil & Gas
- Refining
- Chemical
- Petrochemical
- Power Plant
- Food & Beverage
- Steel Mill
- Plastic Injection Molding
- Automobile Assembly
- General Manufacturing
- Custom Design
- Industrial Markets.

KMS Teknologi has successfully served these and other demanding markets with high quality filter elements and filtration systems.

KMS Teknologi filter manufacturer, builds high performance filter elements for the global industrial hydraulic, industrial lubrication & automotif market. Whether your need is for a Pall hydraulic filter, a Pall coreless element, Schroeder, Hydac, Parker, MP Filtri, Donaldson, Toyota, Mitsubishi, Daihatsu, Isuzu, Mercedes, Ford, Komatsu, or other OEM filter element, we have the products you require. We design, build, manufacture and quality control our own products allowing the strictest of specifications.

KMS TEKNOLOGI FILTER ELEMENTS

Filter Element Products, from **KMS Teknologi** have advantages :

- ▶ High quality products with competitive price – made in Indonesia
- ▶ High quality material
- ▶ Tested with latest technology
- ▶ High Quality Replacement Filter Element from other brands
- ▶ Manufacturer Filter Elements according to order

KMS TEKNOLOGI PRODUCES

Suction Filter Elements

Pressure Filter Elements

Return Filter Elements

Air Filter Elements

Silica Gel Filter Elements

Water Absorbent Filter Elements

Spin On Filter Elements

with various materials such as : Stainless Steel Wire Mesh, Fiber, Cellulose, etc

filter products



Filter Elements Series

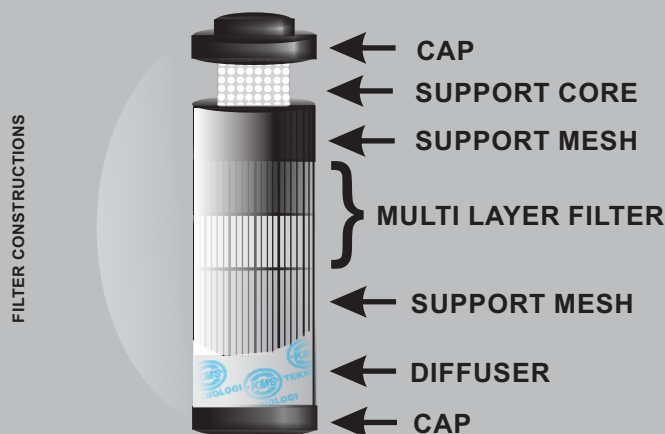
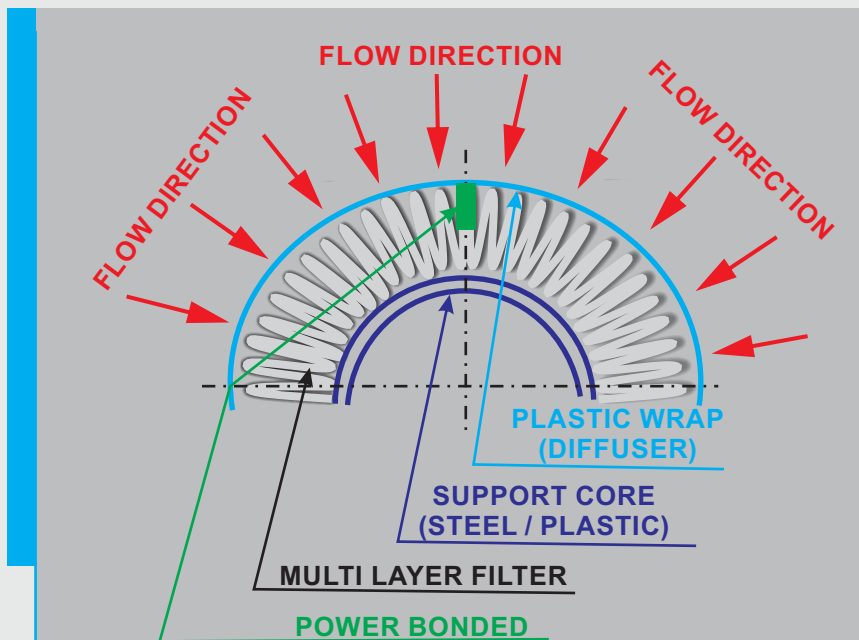
High quality products, ISO Standard, Replacement for other brands



FILTER ELEMENT CONSTRUCTIONS

The filter element which performs the actual filtration function. They consist of several pleated filtration and support layers which are placed as a cylinder around or inside the stabilizing support tube. These mesh packs are sealed by the end-caps. Flow direction through the filter elements is from out to in. Depending on the filter material, the filter mesh pack is in an additional outer plastic.

- Pressure stability : 10 bar to 210 bar (depending selection of filter material)
- Temperature range : -30°C to 100°C
- Filtration rating : 3µ to 200µ (others on request)
- Seals : NBR, FPM, EPDM
- Material filter elements : metal, stainless steel, advant micro, plastic, PU, zink plated, rubber, cellulose etc. (depending of filter type / model)
- Valve : with or without by pass valve



filter production process



filter testing process for better quality products

Filter Elements Series

High quality products, ISO Standard, Replacement for other brands

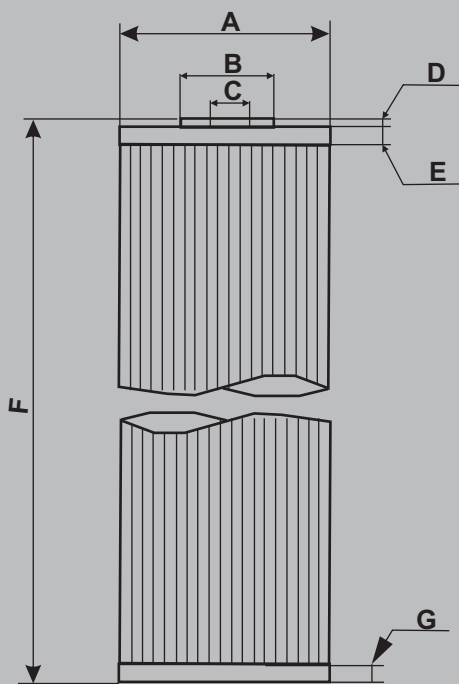
REPLACEMENT FILTER ELEMENTS

DATA COMPETITOR'S ELEMENT FILTER :

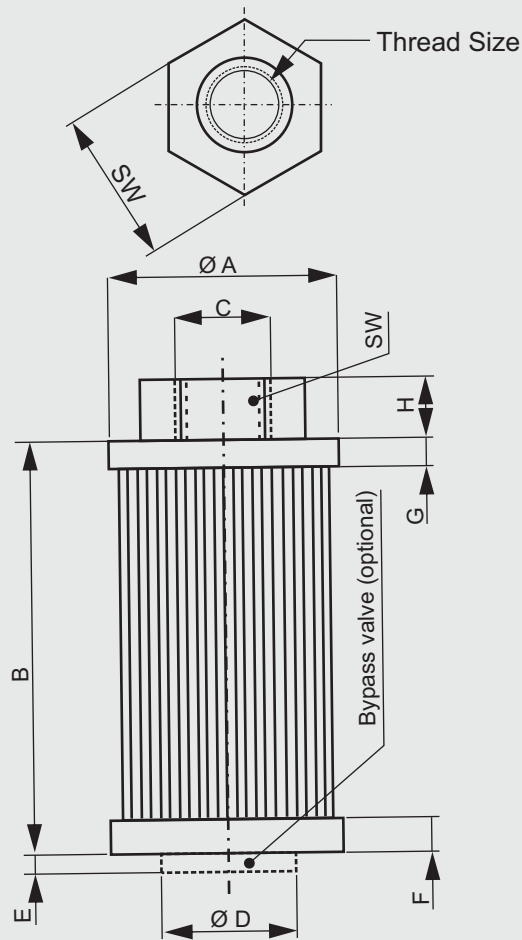
1. Brand / manufacturer :
2. Model / Type Filter :
3. Maximum working pressure :(bar / PSI / Mpa /.....)
4. Flow rate oil :(LPM)
4. Working temperature :(°C / °F)
5. Oil type : (Mineral / Synthetic / Phospate ester /
6. Oil viscosity : ISOVG.....
7. Filter micron size (μ) :
8. Material Element Filter :
9. (with / without) bypass valve (bypass atbar/PSI/Mpa)
10. Seal : (NBR / FPM /
11. Flow direction (out to in / in to out)
12. Filter Dimensions below pictures (Model 1 / Model 2) :

- A = (mm / cm)
- B = (mm / cm)
- C = (mm / cm)
- D = (mm / cm)
- E = (mm / cm)
- F = (mm / cm)
- G = (mm / cm)
- H = (mm / cm)
- Thread Size =
- SW =

FILTER DIMENSIONS :



MODEL 1



MODEL 2

NOTES :

(for others specifications, request, custom designs)

DISTRIBUTOR :