



TEKNOLOGI

NITROGEN CHARGING UNIT

N2CU



N2CU

KMS TEKNOLOGI Automatic and user friendly Nitrogen Charging Unit (N2CU) facilitate fast and cost-effective filling or topping up of the required gas pre-charge pressure in bladder, diaphragm & piston accumulators. They guarantee optimum use of commercially available nitrogen bottles up to a residual pressure of 20 bar and a maximum accumulator pressure of 300 bar.

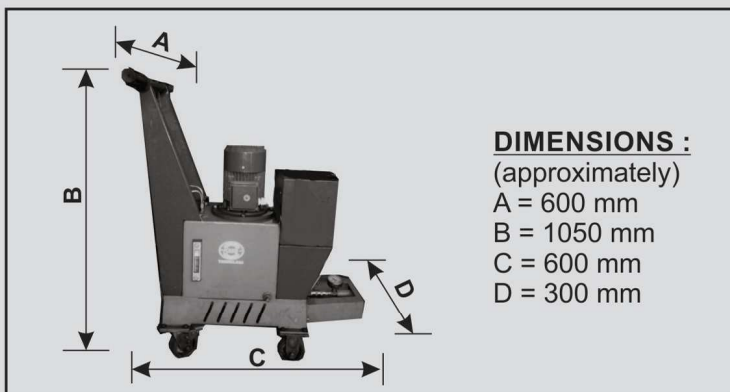
Equipped with 4 wheels, with 2 wheels can be locked, an easy mobile applications. Simple Design and easy to operated, working automatically for filling Accumulator, will give warn if Nitrogen bottle empty and stop automatically after charging finished.

Upgrading system can be done with "N2CU Modul Gen 2", it can give user short messages services (SMS) to user in the field if Bottle Nitrogen Empty or if charging already done/finished.

MODEL CODE

N2CU -15 / 300 / G2 M 3 / 3 M -

Nitrogen Charging Unit	_____	N2CU	_____	-15	_____	/	_____	300	_____	/	_____	G2	_____	M	_____	3	_____	/	_____	3	_____	M	_____	-
Flow Rate Charging 1.5 LPM	_____																							
Maximum Pressure (bar) 300	_____																							
Connection to N2 Bottle G2 = Standard	_____																							
Connection to Accumulator to Minimess CK7000	_____																							
Hose Lenght (Bottle Side & Accumulator Side) 3 meters (other on request)	_____																							
3 Phase	_____																							
Input Power M = 400V / 50 Hz N = Requested Voltage (with 2 meters Cable Power)	_____																							
Modification / System Upgrade U = N2CU Modul Gen2 - = Standard	_____																							



Distributor :