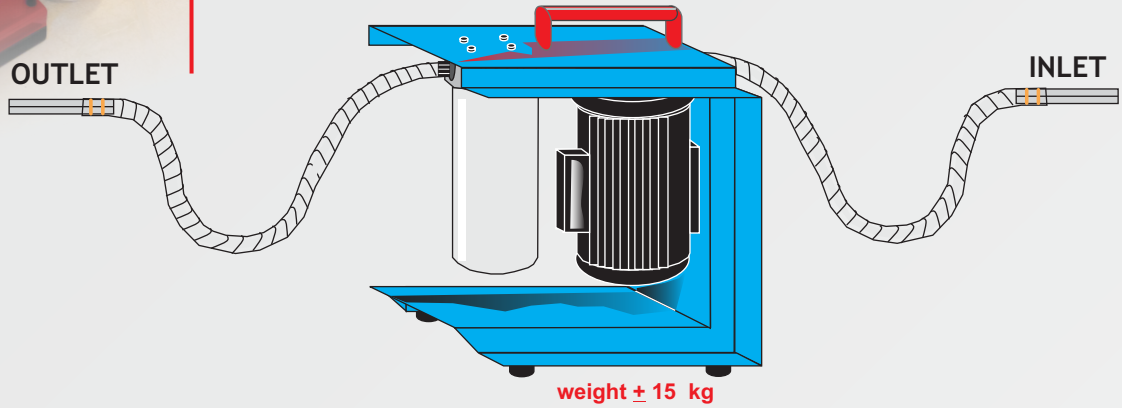




TEKNOLOGI

# PORTABLE FILTRATION UNIT PFU

with the option of water-absorbing filter element



## DESCRIPTION

The portable filtration unit for filling hydraulic systems, flushing small hydraulic systems and for offline filtration.

completed with absolute rating filter element or water absorbing filter element for best filtration system.

## MODEL CODE

PFU - 060H N 10 C

### PORTABLE FILTRATION MAX FLOW RATE

020H = 20 l/min  
030H = 30 l/min  
040H = 40 l/min  
060H = 60 l/min

### MOTOR TYPE

M = 3X400V, 50 Hz  
N = 1X230V, 50 Hz  
E = 24 VDC

### FILTRATION RATING

03 = 3 micron  
05 = 5 micron  
10 = 10 micron  
20 = 20 micron  
10W = 10 micron water absorbing filter element (absorption capacity 500 ml max)

### PANEL

C = With hour meter ; omit = without (standard)

## ORDER CODE FOR FILTER ELEMENT

PFU SP 180 X FE ( X = filtration rating 03, 05, 10, 20 microns or 10W for water absorbing element )

(INLET - OUTLET PUMP CONNECTION WITH 2.5 m HOSE & CABLE POWER )