

# SIGHT GLASS

## KSG Series

(with optional : Bulls Eye - Reflector & Ball)

Carbon Steel, Nickel Plated with Heavy glass window



**TEKNOLOGI**  
www.kmsteknologi.com

### General

KSG Series Sight Glass is a transparent tube through which the operator of a tank can observe the level of liquid contained within.

KSG Series Sight Glass came with two types optional there are KSG-BE (Bulls Eye) and KSG-RB (Reflector & Ball).

### Nominal pressure

Max. 52 bar - 120 bar

### Operating fluids temperature

Maximum up to 260°C (500°F)  
For other fluids, please contact our technical sales department.

### Material

Carbon Steel, Nickel Plated  
Heavy glass window fused to housing

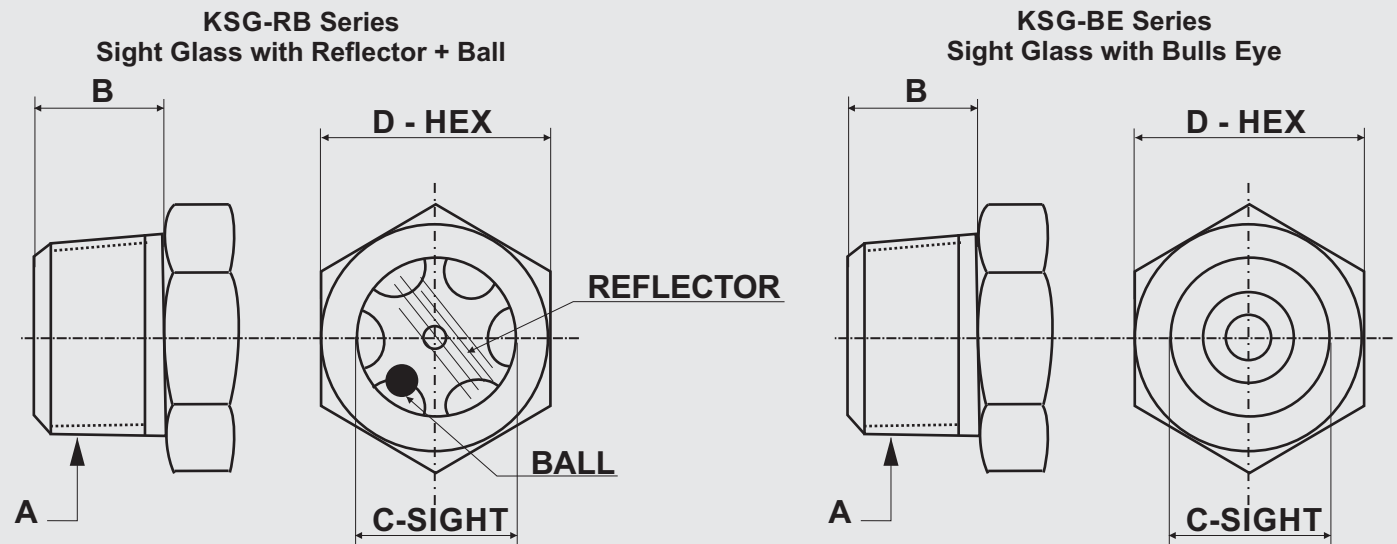
### Connections

with NPT, G, M, BSPP, R are customized

### NOTE

Optional with Stainless Steel Reflector & Red Ball are for 3/8" above.

The information in this brochure relates to the operating conditions and applications described. For applications or operating conditions not described, please contact the relevant technical department. Subject to technical modifications.



BULLS EYE	A (mm)	B (mm)	C (mm)	D (mm)	MAX PRESS (PSI)BAR
KSG-BE-1/2-N	1/2" NPT	12.95	14.22	23.88	(1750) 120
KSG-BE-3/4-N	3/4" NPT	15.75	19.05	26.92	(1500) 103
KSG-BE-1-N	1" NPT	15.75	23.88	35.05	(1250) 86
KSG-BE-1 1/4-N	1 1/4" NPT	20.57	30.23	44.45	(1000) 69
KSG-BE-1 1/2-N	1 1/2" NPT	20.57	36.58	50.8	(750) 52
REFLECTOR + BALL	A (mm)	B (mm)	C (mm)	D (mm)	MAX PRESS (PSI)BAR
KSG-RB-1/2-N	1/2" NPT	12.95	14.22	23.88	(1750) 120
KSG-RB-3/4-N	3/4" NPT	15.75	19.05	26.92	(1500) 103
KSG-RB-1-N	1" NPT	15.75	23.88	35.05	(1250) 86
KSG-RB-1 1/4-N	1 1/4" NPT	20.57	30.23	44.45	(1000) 69
KSG-RB-1 1/2-N	1 1/2" NPT	20.57	36.58	50.8	(750) 52

**DISTRIBUTOR :**