



## INTRODUCTION

### Heavy duty head unit for spin on filter - SPH series

The SPH series is a head unit for spin on filter in line filter system.

The SPH series is a heavy duty head filter, the best solution for replacing ordinary head spin on filter.

The SPH series can also be connected to our quality HSPK housing filter system (for SPH size 160180 only), that save maintenance cost.

They consist of an aluminium filter head and a screw-in filter bowl.

Seal with FPM or standard NBR.

### SPH SPECIFICATIONS

Inline low pressure filter operation  
Temperature range : -10°C to 100°C  
Nominal pressure : up to 20 bar  
(depend on filter element pressure / on request)

Material : Aluminum  
Clogging Indicator pressure setting : 6 bar

Port connection (Inlet-Outlet) : 3/4" or 1 1/4" (depend on size).

## SPH SERIES

Heavy duty head unit for Spin On Filter up to 20 bar (on request)

**ORDER CODE :** SPH 8090 B6 - M - N-N

**MODEL** \_\_\_\_\_

**SIZE / PORT** \_\_\_\_\_

8090 = Inlet-Outlet 3/4"  
160180 = Inlet-Outlet 1 1/4"  
(others on request)

**BY PASS VALVE** \_\_\_\_\_

B6 (6 bar)  
NB (No By Pass)

**CLOGGING INDICATOR** \_\_\_\_\_

NC = Blank Plug  
M = Manual / Visual Clogging Indicator  
(others on request)

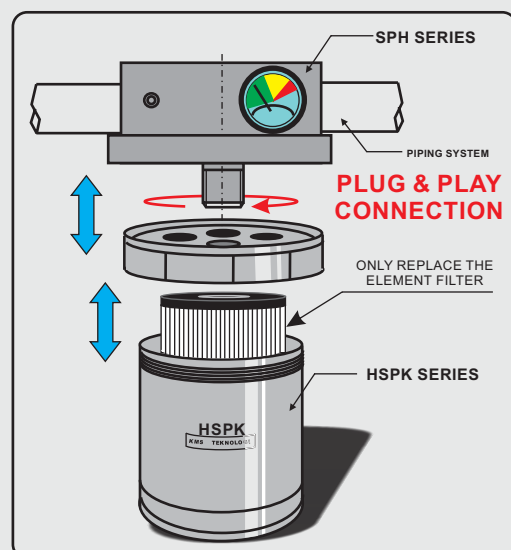
**SEAL** \_\_\_\_\_

N = No Seal (for 8090)  
NB = NBR (standard)  
VT = Viton/FPM

**WORKING PRESSURE** \_\_\_\_\_

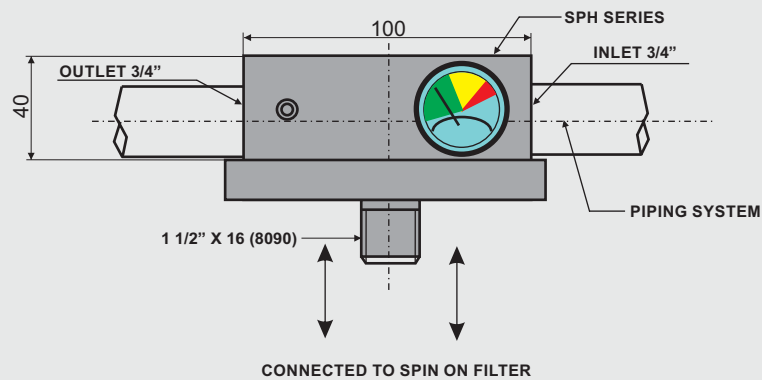
N = Normal ≤ 8 bar  
H = High pressure ≤ 20 bar

SPH 160180 can also be connected to HSPK

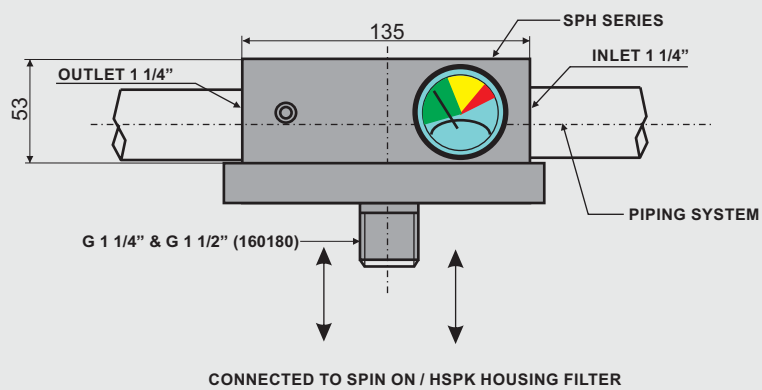


## DIMENSIONS

### SPH 8090



### SPH 160180



**NOTES :**  
Subject to technical modifications.

**DISTRIBUTOR :**