

INTRODUCTION

Standard head unit for spin on filter - SPN series

The SPN series is a head unit for spin on filter in line filter system.

The SPN series is a standard head filter, the best solution for replacing ordinary head spin on filter.

The SPN series can also be connected to our quality HSPK housing filter system (for SPN size 160180 only), that save maintenance cost.

They consist of an aluminium filter head and a screw-in filter bowl.

Seal with FPM or standard NBR.

SPH SPECIFICATIONS

Inline low pressure filter operation
Temperature range : -10°C to 100°C
Nominal pressure : up to 8 bar

Material : Aluminum
Clogging Indicator pressure setting : 2 bar

Port connection (Inlet-Outlet) : 3/4" or 1 1/4" (depend on size).

SPN SERIES

Standard head unit for Spin On Filter up to 8 bar

ORDER CODE :

SPN 8090 B3 - M - N - N

MODEL

SIZE / PORT

8090 = Inlet-Outlet 3/4"
160180 = Inlet-Outlet 1 1/4"
(others on request)

BY PASS VALVE

B1.7 (1.7 bar - 8090)
B2 (2 bar - 160180)

CLOGGING INDICATOR

NC = Blank Plug
M = Manual / Visual Clogging Indicator
(others on request)

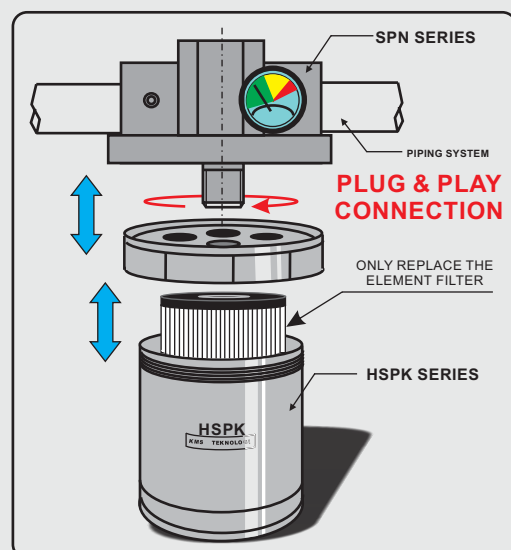
SEAL

N = No Seal (for 8090)
NB = NBR (standard)
VT = Viton/FPM

WORKING PRESSURE

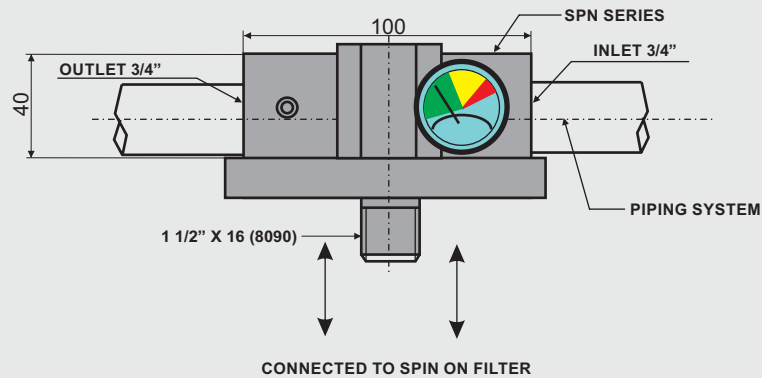
N = Normal \leq 8 bar

SPN 160180 can also be connected to HSPK

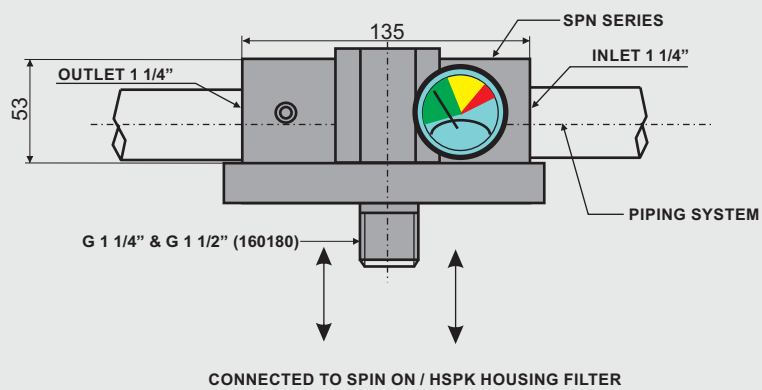


DIMENSIONS

SPN 8090



SPN 160180



NOTES :
Subject to technical modifications.

DISTRIBUTOR :