



INTRODUCTION SPIN ON FILTER SP - SERIES

The SP series filter is a plug & play in line filter system.

The SP series is best solution for replacing Spin On Filter, The filter consists of built-in bypass valve and a screw-on filter cartridge.

The SP series spin on filter also have water absorbing filter. This water absorbing spin-on cans will remove most of the water prior to the fluid reaching the cellulose element. Specially designed for industrial hydraulic installations.

Water absorption capacity 500 ml max.

FILTER SPECIFICATIONS

Inline low pressure filter operation
 Temperature range : -10°C to 100°C
 Nominal pressure : up to 8 bar
 Material : metal
 Filter Element : Advant Micro, Polymer
 (for water absorb element)
 Clogging Indicator pressure setting :
 2 bar
 Port connection :
 3/4", 1 1/4" or 1 1/2" (depend on size).

SP SERIES Spin On Filter

(Standard spin on filter & water absorb spin on filter)

ORDER CODE :

0160 R 010 FN-SP

FLOW RATE

0080 (20 L/min)
 0160 (40 L/min)
 0180 (80 L/min), water absorb only 0180

LOW PRESSURE

R

FILTRATION RATING

003, 005, 010, 020 µm (advant micro)
 010 (for water absorb filter element)

ELEMENT MATERIAL

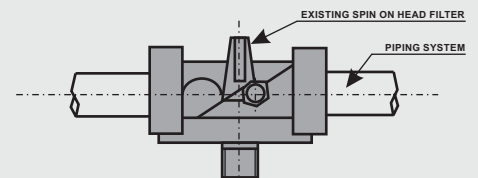
FN (advant micro)
 W (for water absorb filter element)

SPIN ON CONNECTION

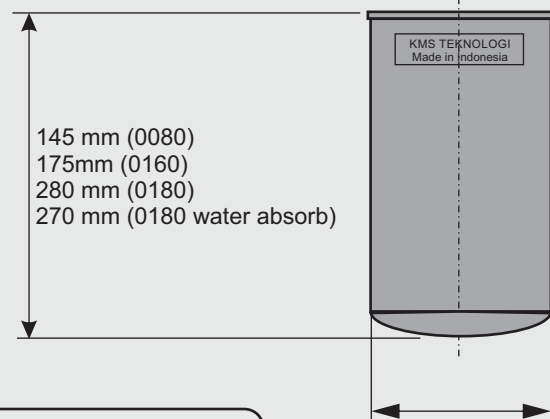
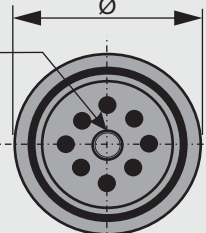
(fixed connection)

G 3/4" (0080)
 G 1 1/4" (0160)
 G 1 1/2" (0180)

DIMENSIONS :



G 3/4" (0080)
 G 1 1/4" (0160)
 G 1 1/2" (0180)



145 mm (0080)
 175mm (0160)
 280 mm (0180)
 270 mm (0180 water absorb)

DISTRIBUTOR :

Ø 94 (0080)
 Ø 128 (0160)
 Ø 128 (0180)
 Ø 128 (0180 Water absorb)